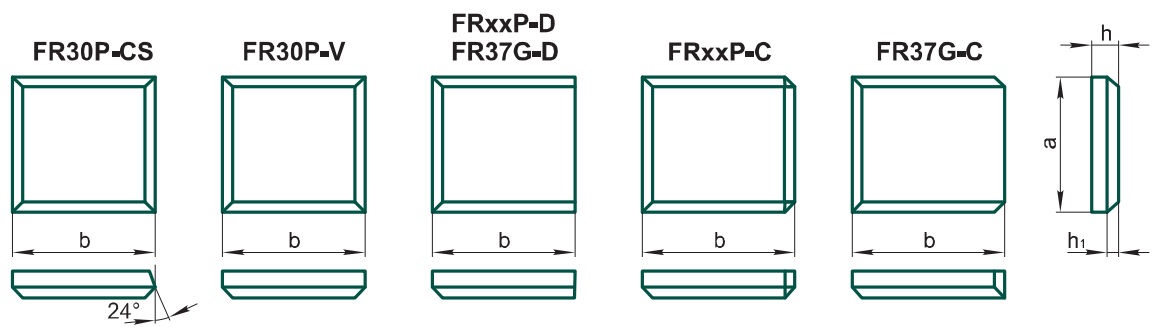
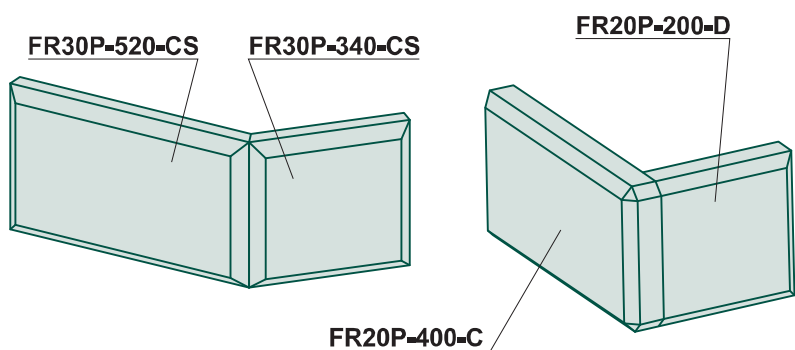


КАМНИ РУСТОВЫЕ

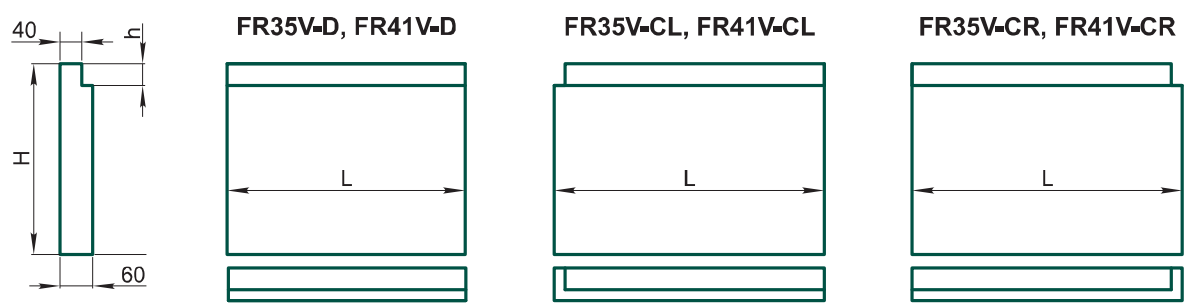
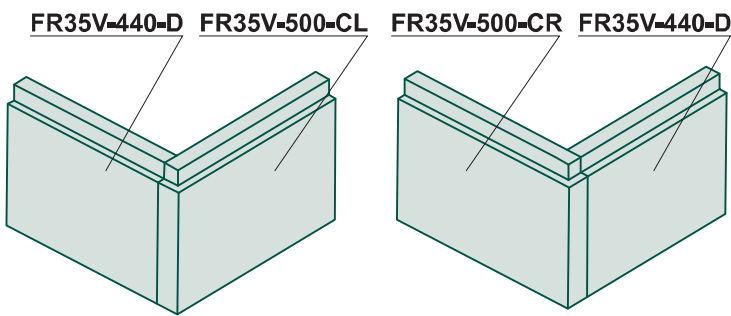
	a	b	h	h ₁
FR20P-200-C	200	200	50	15
FR20P-385-C	200	385	50	15
FR20P-400-C	200	400	50	15
FR27P-320-D	276	320	50	20
FR27P-370-C	276	370	50	20
FR30P-320-D	300	320	60	25
FR30P-520-C	300	520	60	25
FR30P-520-CS	300	520	60	25
FR30P-320-CS	300	320	60	25
FR30P-245-C	300	245	60	25
FR30P-340-C	300	340	60	25
FR30P-V-245	300	245	60	25
FR30P-V-340	300	340	60	25
FR30P-V-520	300	520	60	25
FR37G-577-C	370	700	123	25
FR37G-360-C	370	483	123	25
FR37G-360-D	370	360	123	25
FR37G-577-D	370	577	123	25

FRxxP, FR37G

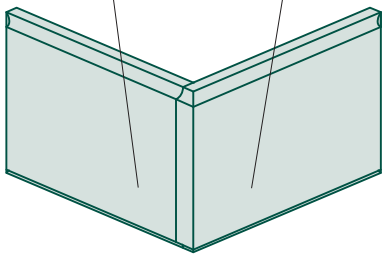


	H	L	h
FR35V-440-D	350	440	40
FR35V-480-D	350	480	40
FR35V-800-D	350	800	40
FR35V-500-CL	350	500	40
FR35V-500-CR	350	500	40
FR35V-540-CL	350	540	40
FR35V-540-CR	350	540	40
FR35V-860-CL	350	860	40
FR35V-860-CR	350	860	40
FR41V-350-D	406	350	30
FR41V-700-D	406	700	30
FR41V-350-CL	406	350	30
FR41V-350-CR	406	350	30
FR41V-700-CL	406	700	30
FR41V-700-CR	406	700	30

FRxxV



FR36G-D FR36G-C

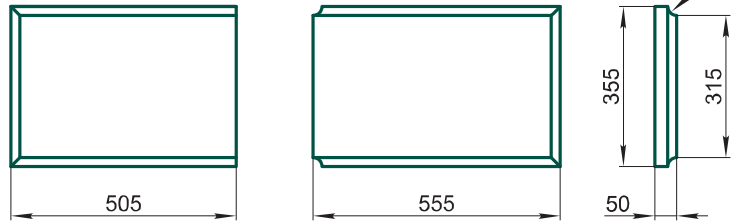


FR36G-D
FR36G-C

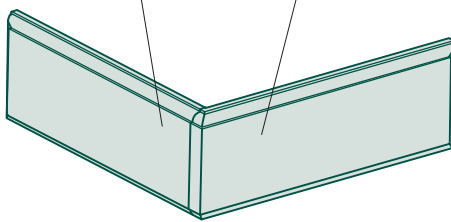
FR36G

FR36G-D

FR36G-C

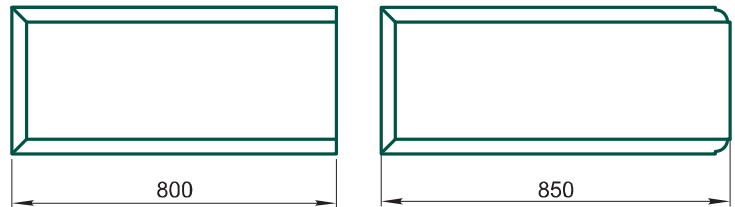
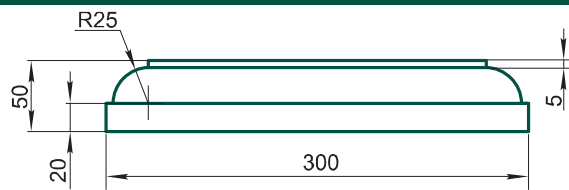


FR80A FR85A

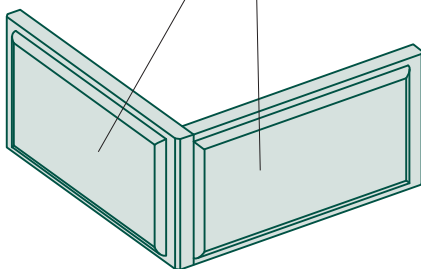


FR80A
FR85A

FR80A, FR85A



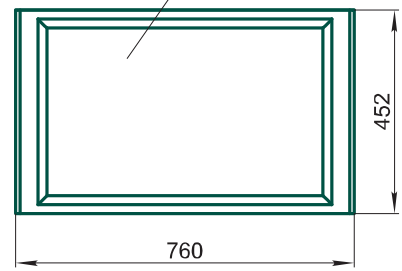
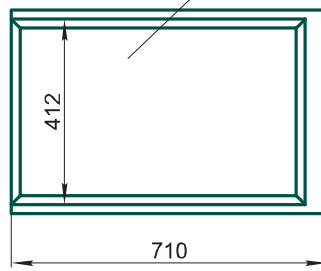
FR38M-760-C FR38M-710-D



FR45M, FR38M

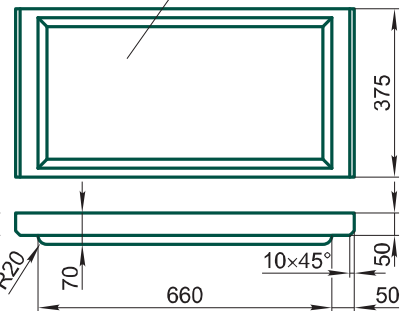
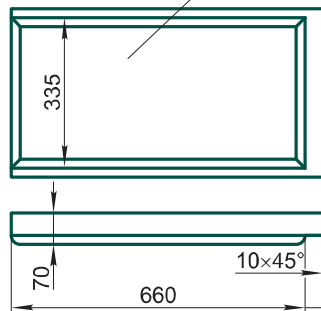
FR45M-710-D

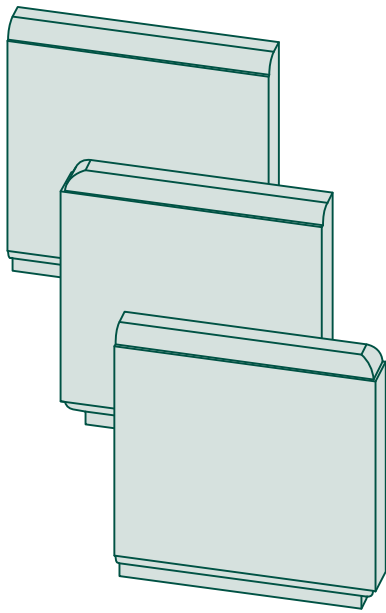
FR45M-760-C



FR38M-710-D

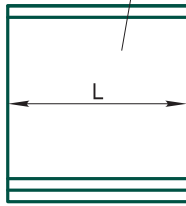
FR38M-760-C



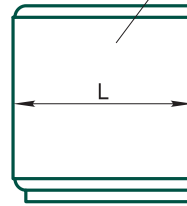


FR43F, FR47F

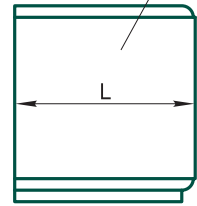
FR43F-D
FR47F-D



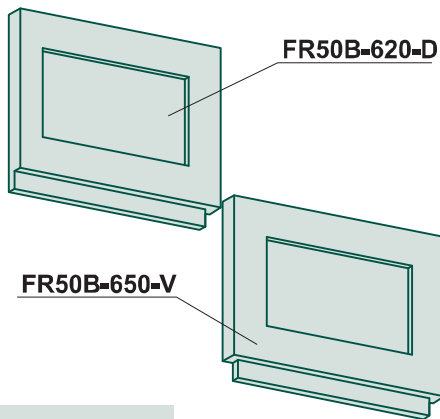
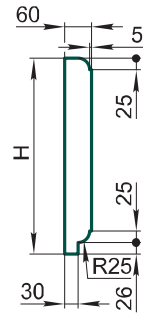
FR43F-CL
FR47F-CL



FR43F-CR
FR47F-CR



	H	L
FR43F-750-D	435	750
FR43F-810-CL	435	810
FR43F-810-CR	435	810
FR43F-405-CL	435	405
FR43F-405-CR	435	405
FR47F-405-CR	472	405
FR47F-810-CR	472	810
FR47F-850-D	472	850

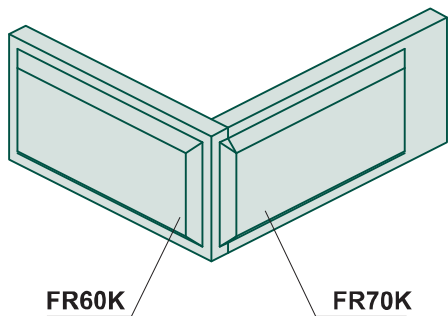
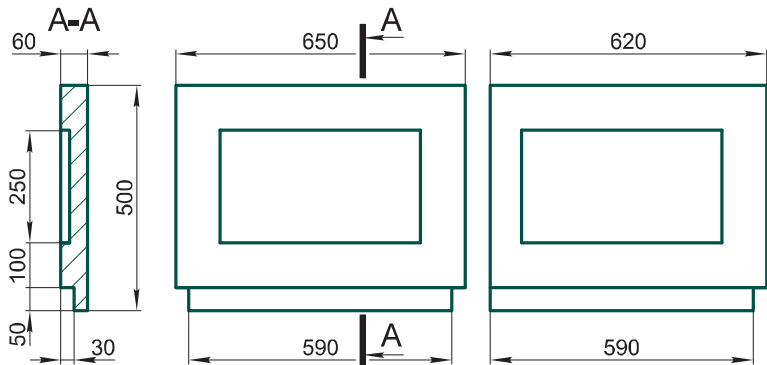


FR50B-620-D

FR50B-650-V

FR50B-650-V
FR50B-620-D

FR50B



FR60K

FR70K

FR60K
FR70K

FR60K, FR70K

